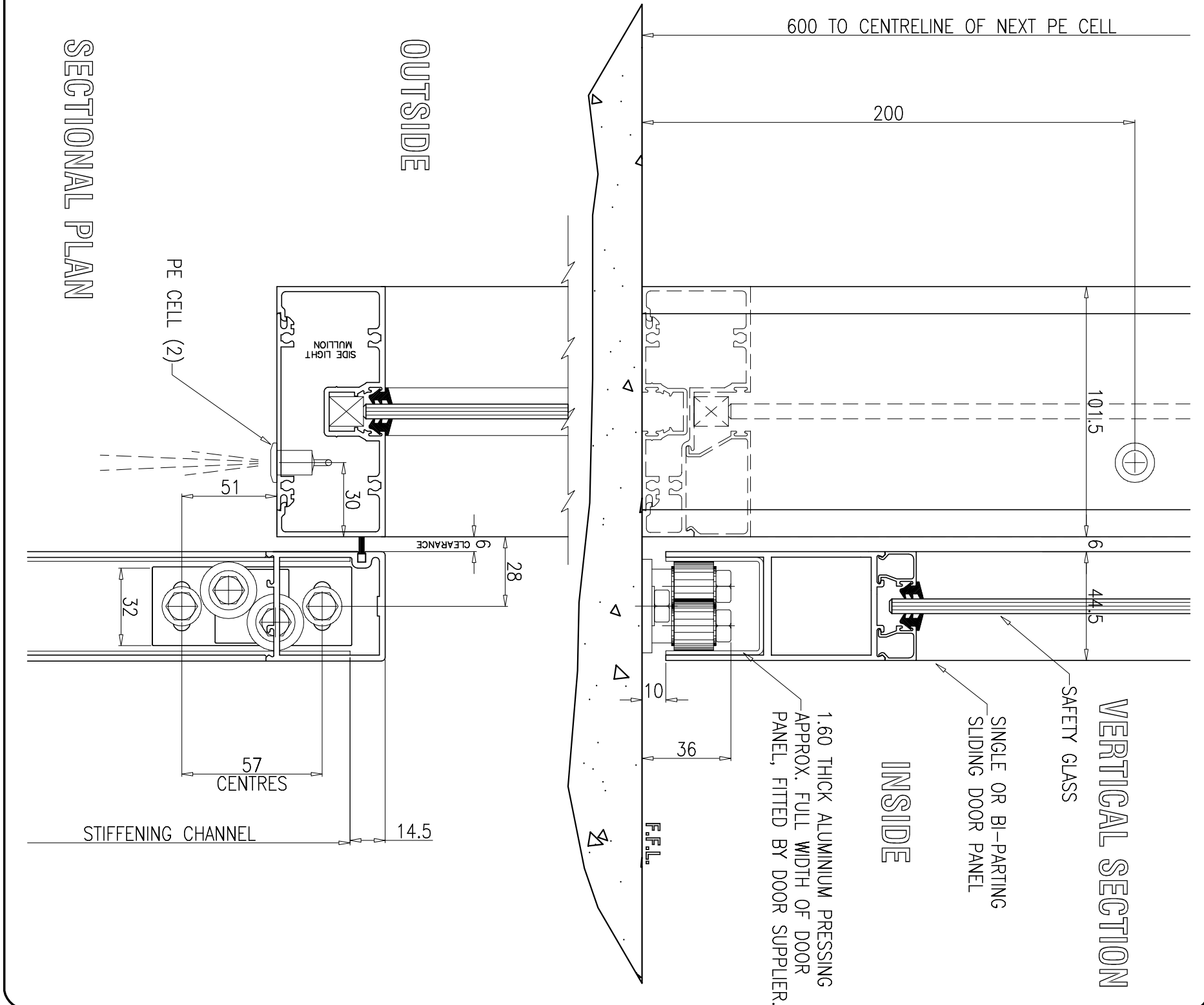
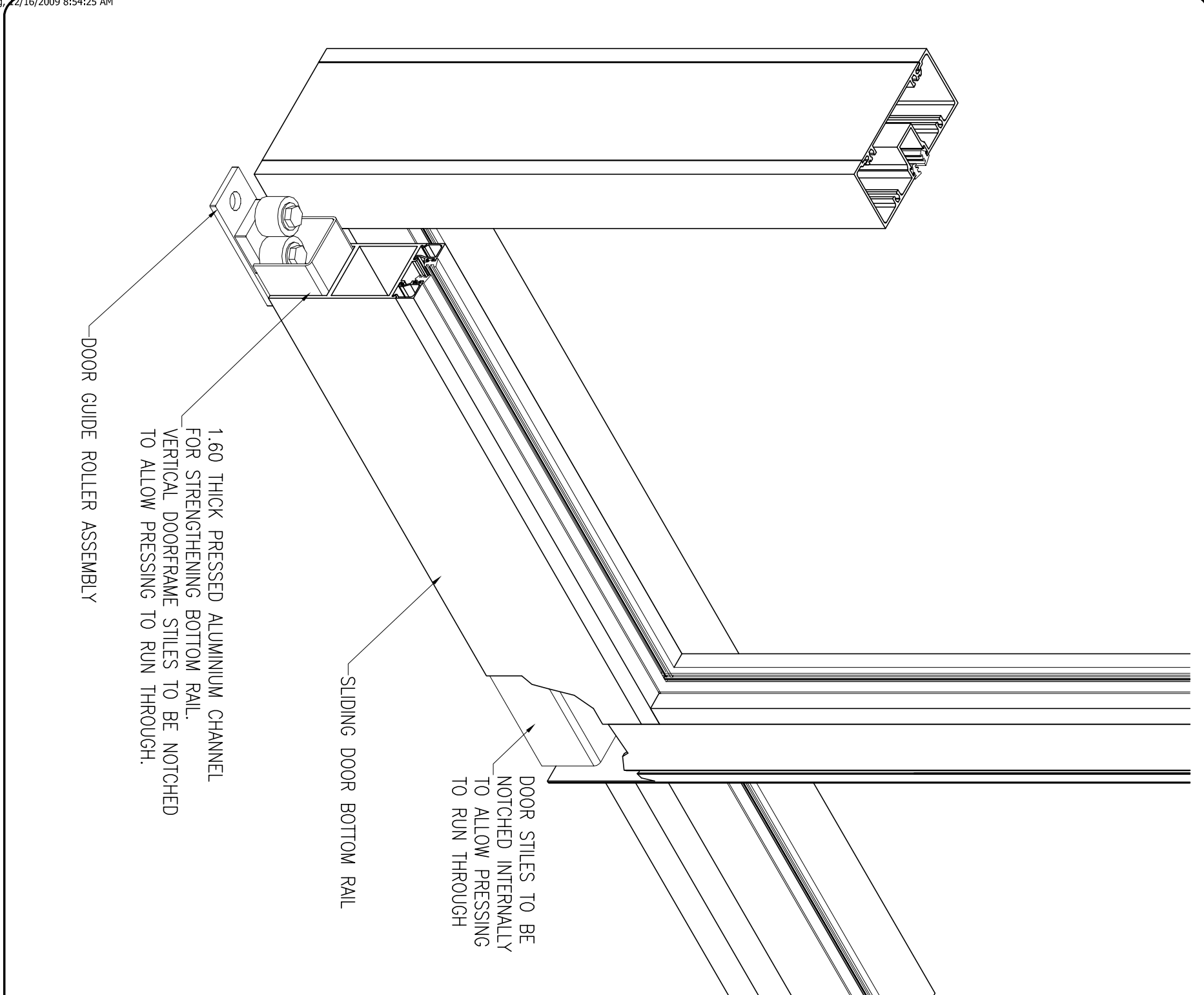


COPYRIGHT
 The concepts and information contained in this document are the copyright of Byrnes Entrance Technology. Using or copying this document (or any part of it) without the written permission of Byrnes Entrance Technology would constitute an infringement of that copyright.

Issue	Date	Amendment	Dwgn.
-	-	-	-
-	-	-	-
-	-	-	-
-	-	-	-
-	-	-	-
-	-	-	-
-	-	-	-
-	-	-	-
-	-	-	-



TITLE

2301 iMOTION
FRAMED GLASS SLIDING DOOR
RECOMMENDED
BOTTOM RAIL STRENGTHENING
AND FLOOR GUIDE

Byrnes Entrance Technology

Unit 4 Corner Bay & Atkinson Roads
 TAREN POINT NSW 2229
 Tel: 02 9531 5559 Fax: 02 9531 5551
 Email: byrneset@byrneset.com.au

DRAWN: JmJones
 DATE: 2010
 SCALE: NTS

SHEET SIZE: A3
 DRAWING NUMBER: 2301-05
 SHEET No.: -
 ISSUE: -